

S6 - 36, 6S 700, 6AS-700, 6S 850 Pistón Central / Central Piston

Posterior Neumático (1: 1,32)
Rear Pneumatic



Descripción Description

Toma de fuerza de dos piñones, relación interna 1:1,32, para montar bombas ISO 4 taladros. Accionamiento neumático, montaje sobre el registro frontal de 4 taladros de la caja de cambios. Indicador de funcionamiento opcional.

Power Take-off two gears, internal ratio 1:1,32, to connect Iso 4 bolts pumps. Pneumatic shifting, mounting on rear 4 bolts-window of the Gearbox. Optional: Passing contact switch.

Datos Principales Main Data

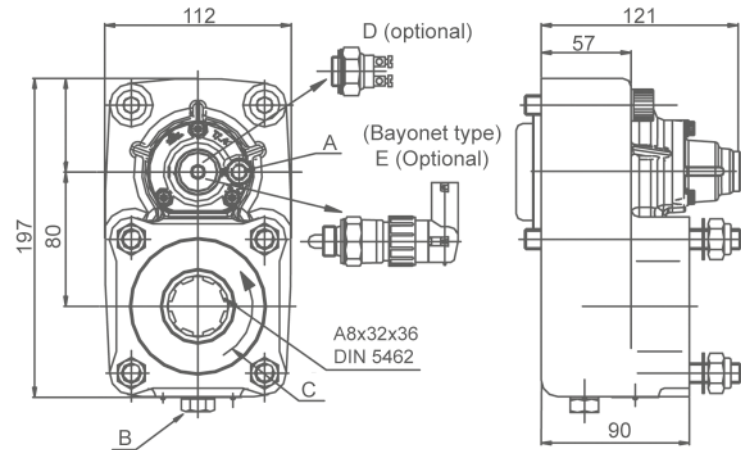
| | | | |
|--|------------------------------|---------------|---------|
| Par nominal Torque (Nm) | Continuo Continuous | 300 | |
| | Intermitente Intermittent | 420 | |
| Potencia (Cv) a 1000 r.p.m. Power (HP) 1000 r.p.m | 42 C.V // 32 Kw | | |
| Lado de montaje Mounting position | Posterior Rear | | |
| Sentido de giro de la bomba Pump rotation | Derecho Clockwise | | |
| Peso Weight (Kg) | 10 | | |
| Relación motor - Toma de Fuerza Engine to PTO ratio | S6 - 36 / 6.06 | 1: 0,770 | |
| | S6 - 36 / 6.93 - 0.8 | 1: 0,670 | |
| | S6 - 36 / 7.43 - 1.0 | 1: 0,634 | |
| | S6 - 36 / 8.97 - 1.0 | 1: 0,530 | |
| | S6 - 36 / 7.43 - 0.85 + GV36 | Larga High | 1:0,740 |
| | | Normal Normal | 1:0,630 |
| | S6 - 36 / 8.97 - 0.83 + GV36 | Larga High | 1:0,630 |
| | | Normal Normal | 1:0,520 |
| | 6S700, 6AS-700 / 6.02 - 0.79 | 1:0,752 | |
| | 6S850 / 6.72 - 0.79 | 1:0,700 | |
| 6S850 / 8.51 - 1.0 | 1:0,554 | | |

Códigos y Combinaciones Part Numbers and Combinations

| | | | |
|--|-----------|--------------|-----------------------|
| Tipos de salida Output types | Eje Shaft | Plato Flange | Bomba Pump (DIN 5462) |
| Accionamiento neumático Pneumatic shifting | | 1010202 | 109903 |

S6 - 36, 6S 700, 6AS-700 ,6S 850 - Pistón Central / Central Piston

Posterior Neumático (1: 1,32)
Rear Pneumatic

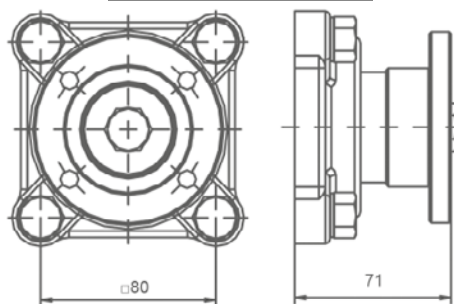


Notas Notes

| | | | |
|---|------------------------------------|---|-------------------------------------|
| A | Toma de aire, rosca 1/8" GAS | A | Air connection, thread 1/8" BSP |
| B | Tapón de drenaje del aceite | B | Oil drain plug |
| C | Sentido de giro | C | Rotation |
| D | Interruptor neumático. (100070018) | D | Pressure switch. P/N 100070018 |
| E | Interruptor de contacto. (9024999) | E | Passing contact switch. P/N 9024999 |

Tipos de Salida Output Types

Plato / Flange



SAE: 1100
1300
1400

DIN: 90
100