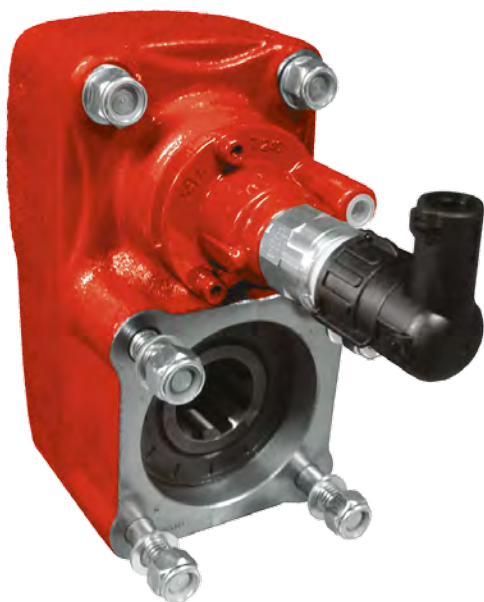


S5-50/90, S6-65/66/70/75/80/90, 6S-800/1000/1200 TD/TO
(Volvo ZTO 1006), 6AS 800/1000TO

Posterior Neumático (1: 1,32)
Rear Pneumatic



Descripción Description

Toma de fuerza de dos piñones, relación interna 1:1,32, para montar bombas ISO 4 taladros. Accionamiento neumático (Pistón Central), montaje sobre el registro posterior de la caja de cambios. Indicador de funcionamiento opcional.

Power Take-off two gears, internal ratio 1:1,32, constant mesh, to connect Iso 4 bolts pumps. Pneumatic shifting (Central Piston), mounting on rear 4 bolts-window of the Gearbox. Optional: Passing contact switch.

Datos Principales Main Data

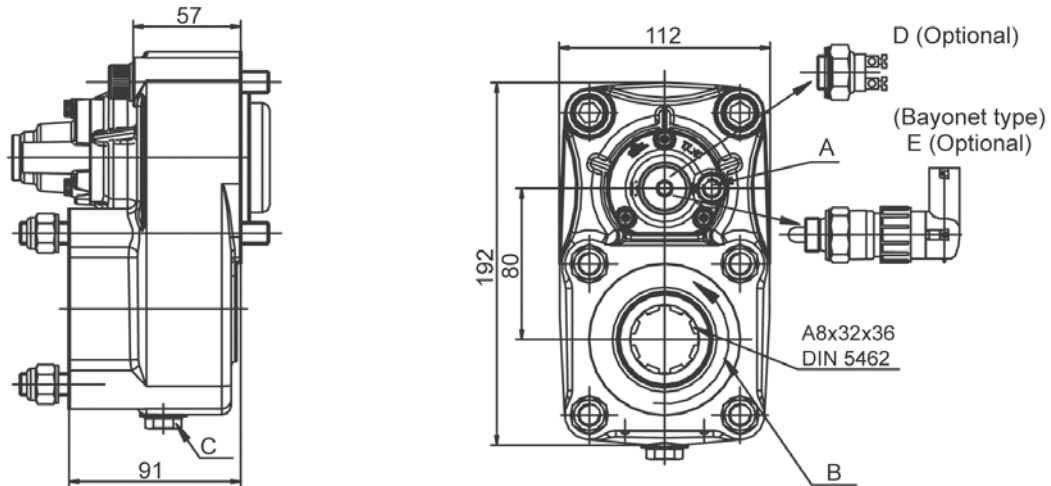
Par nominal Torque (Nm)	Continuo Continuous	300
	Intermitente Intermittent	420
Potencia (1000 r.p.m.) Power (HP) 1000 r.p.m		42 C.V // 32 kW
Lado de montaje Mounting position		Posterior Rear
Sentido de giro de la bomba Pump rotation		Derecho Clockwise
Peso Weight (Kg)		11
Relación motor - Toma de Fuerza Engine to PTO ratio	ANEXO ATTACHMENT	

Códigos y Combinaciones Part Numbers and Combinations

Tipos de salida Output types	Eje Shaft	Plato Flange	Bomba Pump (DIN 5462)
Accionamiento neumático Pneumatic shifting		1010102	1010003

S5-50/90, S6-65/66/70/75/80/90, 6S-800/1000/1200 TD/TO
(Volvo ZTO 1006), 6AS 800/1000TO

Posterior Neumático (1: 1,32)
Rear Pneumatic



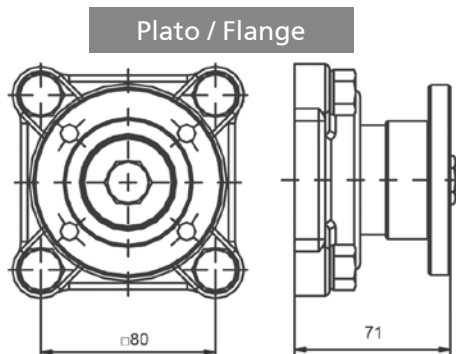
Notas Notes

Notas		Notes	
A	Toma de aire, rosca 1/8" GAS	A	Engage PTO, thread 1/8" BSP
B	Sentido de giro	B	Rotation
C	Tapón de drenaje del aceite	C	Oil drain plug
D	Interruptor neumático. (100070018)	D	Pressure switch. P/N (100070018)
E	Interruptor de contacto. (9024999)	E	Passing contact switch. P/N 9024999

Tipos de Salida Output Types

SAE: 1100
1300
1400

DIN: 90
100



S5-50/90, S6-65/66/70/75/80/90, 6S-800/1000/1200 TD/TO
(Volvo ZTO 1006), 6AS 800/1000TO

Posterior Neumático (1: 1,32)
Rear Pneumatic

	CAJA GEARBOX	RELACIÓN RATIO		CAJA GEARBOX	RELACIÓN RATIO
S5-50	/ 5.30	1: 0,861		/ 5.66+GV80/7.52	Larga High 1: 0,974 Normal Normal 1: 0,733
	/ 5.50	1: 0,811		/ 6.10	1: 0,908
	/ 6.20	1: 0,719		/ 6.7	1: 0,820
	/ 6.61	1: 0,674		/ 6.7+GV80/5.30	Larga High 1: 1,039 Normal Normal 1: 0,819
	/ 6.61+GV80	Larga High 1: 0,842		/ 6.90	1: 0,679
	/ 5.30	Normal Normal 1: 0,674		/ 7.35	1: 0,728
	/ 8.02	1: 0,557		/ 7.41	1: 0,743
S5-90GP	/ 8.02+GV80/6.20	Larga High 1: 0,719 Normal Normal 1: 0,557		/ 7.53	1: 0,732
	/ GPA	1: 1,174		/ 7.67	1: 0,710
	/ 6.37	1: 0,860		/ 7.67+GV80/6.7	Larga High 1: 0,821 Normal Normal 1: 0,716
S6-65	/ 6.70	1: 0,820		/ 7.90	1: 0,693
	/ 7.0+GV70/7.67	Larga High 1: 0,602 Normal Normal 1: 0,482		/ 9.00	1: 0,610
	/ 7.40	1: 0,741		/ 9.00+GV80/5.30	Larga High 1: 1,039 Normal Normal 1: 0,611
	/ 7.52	1: 0,732		/ 9.00+GV80/7.48	Larga High 1: 0,743 Normal Normal 1: 0,611
	/ 9.00	1: 0,610		/ 9.00+GV80/7.52	Larga High 1: 0,732 Normal Normal 1: 0,611
	/ 7.97+GV80/6.70	Larga High 1: 0,819 Normal Normal 1: 0,694		/ 5.67	1: 0,990
	/ 9.00+GV80/6.70	Larga High 1: 0,819 Normal Normal 1: 0,611		/ 5.74	1: 0,980
S6-66	/ 9.00+GV80/7.52	Larga High 1: 0,732 Normal Normal 1: 0,611		/ 6.37	1: 0,980
	/ 7.36-1.0	1: 0,690		/ 6.98	1: 0,807
	/ 9.06-1.0	1: 0,550		/ 7.03	1: 0,796
S6-70	/ 6.8	1: 0,679		/ 7.03+GV90/5.67	Larga High 1: 0,989 Normal Normal 1: 0,796
	/ 6.8+GV70/5.71	Larga High 1: 0,808 Normal Normal 1: 0,679		/ 7.03+GV90/5.74	Larga High 1: 0,970 Normal Normal 1: 0,790
	/ 7.36	1: 0,630		/ 7.40	1: 0,759
	/ 7.92	1: 0,582		/ 9.01	1: 0,620
	/ 9.03	1: 0,511		/ 9.01+GV90/7.40	Larga High 1: 0,757 Normal Normal 1: 0,622
S6-75	/ 9.59	1: 0,482		6S800TO/6.58-0.78(Volvo ZTO 1006)	1: 0,700
	/ 6.70+GV80/7.52	Normal Normal 1: 0,819 Corta Low 1: 0,732		6AS 800 TO/6.58-0.78	1: 0,700
S6-80	/ 5.03	1: 1,029		6AS1000TO/6.75-0.78	1: 0,700
	/ 5.66	1: 0,980		6S1000TO/6.75 - 0.78	1: 0,700
				6S1200TD/7.72 - 1.00	1: 0,713
				6S1200TO/6.75 - 0.83	1: 0,818