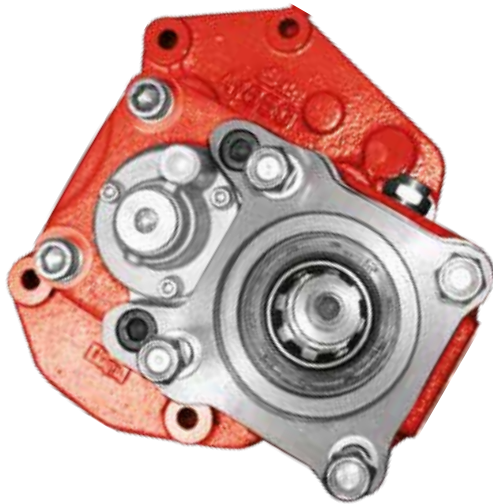


G131, G210, G211, G141-9, G221, G230, G231, G240, G241, G260, G280, G281, G330

Posterior Neumático (1: 1,72) Casquillo cierre bomba
Rear Pneumatic (1: 1,72) Closed pump cover



Descripción Description

Kit toma de fuerza reforzada + brida (sin eje), relación 1:1,72 para montar bombas ISO 4 taladros. Accionamiento neumático. Montaje sobre el registro posterior de 8 taladros de la caja de cambios. Indicador de funcionamiento y/o eje adaptador opcional.

Base PTO + flange kit (without shaft), heavy duty 1:1,72 to connect ISO 4 bolts pumps. Pneumatic shifting. Mounting on rear 8 bolts-window of the Gearbox. Optional: Passing contact switch and adapter shaft.

Datos Principales Main Data

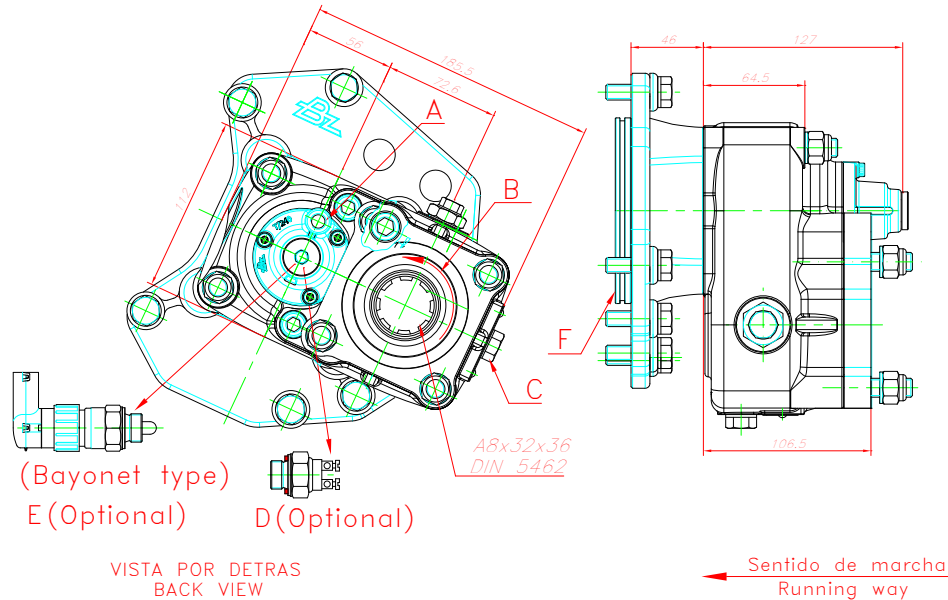
| Par máximo Max. Torque (Nm) | Continuo Continuous | Intermitente Intermittent | 325 |
|---|--|---------------------------|-------------------|
| Potencia (1000 r.p.m.) Power (1000 r.p.m.) | | | 450 |
| Lado de montaje Mounting position | | | 46 C.V // 34 kW |
| Sentido de giro de la bomba Pump rotation | | | Posterior Rear |
| Peso Weight (Kg) | | | Derecho Clockwise |
| | G131-9/14.57-1.0 | | 17 |
| | G210-16/14.2-0.83 | Normal Normal | 1:1,269 |
| | G141-9/14.57-1.0, G211-16/17.0, G231-16/17.0, G241-16K/17.0-1.0 | Larga High | 1:1,462 |
| | G221-9/16.15-1.0 | Normal Normal | 1:1,772 |
| | G240-16/11.7, G280-16K/11.72-0.69, G280-16/11.72-0.69 NewAMT | Larga High | 1:1,221 |
| Relación motor - Toma de Fuerza Engine to PTO ratio | G260-16/9.75-0.57 | Normal Normal | 1:1,462 |
| | G211-12K/14.93-1.0, G211-12/14.93-1.0 NewAMT, G281-12K/14.93-1.0, G281-12K/14.93-1.0, G281-12/14.93-1.0 NewAMT | Larga High | 1:1,273 |
| | G230-12K/11.67-0.78, G230-12/11.67-0.78 NewAMT, G230-16S/14.2-0.83, G330-12K/11.64-0.78, G330-12/11.64-0.78 NewAMT | Normal Normal | 1:1,772 |
| | | Larga High | 1:2,133 |
| | | Normal Normal | 1:2,133 |
| | | Larga High | 1:2,580 |
| | | Normal Normal | 1:1,393 |
| | | Larga High | 1:1,772 |
| | | Normal Normal | 1:1,772 |
| | | Larga High | 1:2,270 |

Códigos y Combinaciones Part Numbers and Combinations

| Kit toma de fuerza Base con brida Base PTO kit with flange | + Kit de eje adaptador Adapter shaft kit | | |
|--|--|---|---------|
| Salida Plato Flange Output | 07222K02 | G131 ... G330, Z=16. L=252mm | 700904 |
| Salida bomba Pump Output DIN 5462 | 07222K03 | G131 ... G330, Retarder. Z= 16. L=277mm | 703704 |
| | | G281 Powershift 3, Z=16. L=293mm (Aquatarder) | 7018104 |
| | | G281-12 Powershift 3, Z=16. L=268mm | 7018304 |

G131, G210, G211, G141-9, G221, G230, G231, G240, G241, G260,
G280, G281, G330

Posterior Neumático (1: 1,72) Casquillo cierre bomba
Rear Pneumatic (1: 1,72) Closed pump cover



Notas Notes

| Notas | | Notes | |
|-------|------------------------------------|-------|-------------------------------------|
| A | Toma de aire, rosca 1/8" GAS | A | Air connection, thread 1/8" BSP |
| B | Sentido de giro | B | Rotation |
| C | Conexión latiguillo de salida | C | Output oil pipe connection |
| D | Interruptor neumático (100070018) | D | Pressure switch. P/N 100070018 |
| E | Interruptor de contacto. (9024999) | E | Passing contact switch. P/N 9024999 |
| F | Casquillo cierre bomba de engrase | F | Closed lubrication pump cover |

Tipos de Salida Output Types

| FLANGE TYPE | |
|-------------|------|
| SAE: | 1100 |
| | 1300 |
| | 1400 |
| DIN: | 90 |
| | 100 |

Adaptador Plato / Flange Adapter

